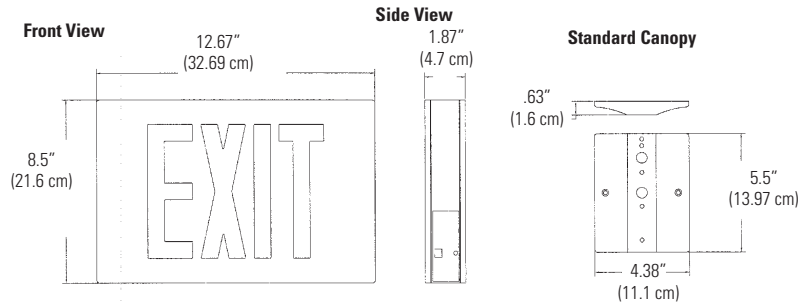




The LDS Series die cast aluminum exit sign combines traditional styling with reliable self-testing, self-diagnostic technology (optional) ensuring the readiness of your emergency lighting and satisfying the periodic testing requirements of NFPA 101, Life Safety Code.



Complete Fixture consists of base exit sign. Select accessories below.

How to Specify:

LDS	N	U			
SERIES	BATTERY	STENCIL FACES	LETTER COLOR	STENCIL FACE/ HOUSING COLOR	FACTORY-INSTALLED OPTION
LDS = Die Cast Aluminum LED Exit	A = AC Only N = Nickel Cadmium	1 = Single Face U = Universal, 2 Faces and Backplate	R = Red G = Green	A = Natural Brushed Aluminum Face w/ Black Housing B = Black Stencil Face w/ Black Housing W = White Stencil Face w/ White Housing N = Natural Brushed Aluminum Face w/ Natural Brushed Aluminum Housing WA = Natural Brushed Aluminum Face w/ White Housing	SD = Self-Testing Diagnostics (Available on nickel cadmium, universal face exits only - LDSNU)

Features

- 1. Illumination:** Illumination is accomplished with long lasting, high output Light Emitting Diodes (LEDs). Hot spots and striations are eliminated by the internal light chamber allowing even illumination in normal and emergency situations.
- 2. Housing:** Rugged die cast aluminum housing, back plate, faces and canopy. Exits are painted with a durable powder coating in a variety of colors to suit any décor.
- 3. Installation:** Exit installation methods are universal. Universal models are supplied with two faces, back plate and canopy to easily facilitate back wall mount, ceiling and end mount. NFPA approved directional chevron knockouts are supplied on the faces. A universal knockout pattern is supplied on the back plate to accommodate back wall mount applications.
- 4. Electronics:** 120/277 VAC, 60 Hz, dual voltage input. Solid state circuitry is surge-protected and provides for a reliable charging system. Standard features include low voltage disconnect, labor saving AC lockout, brownout protection and instantaneous transfer. All circuitry is conformal coated with a moisture resistant protector.
- 5. Optional Self-Testing Diagnostics:** The diagnostics routine is activated upon the presence of AC power to ensure proper installation and initialization. Continuous monitoring of the systems critical components include: Battery disconnect/failure, charger failure, LED failure, AC line voltage monitoring and transfer circuit failure. Fault/service monitoring is accomplished via a dual color LED on the outside of the unit so there is no need to open the fixture if troubleshooting is needed. The self-test routine satisfies the exception clause for periodic testing requirements of NFPA 101 and automatically tests the unit for one minute every thirty days, 30 minutes on the sixth month and 90 minutes annually.
- 6. Battery:** Sealed, maintenance-free nickel cadmium battery. Supplies a minimum of 90 minutes of power in the emergency mode. Estimated service life of ten years.

- 7. Input Power Requirements:** Emergency Operation - Red: 2.88 W; Green: 3.36 W
- 8. Operating Temperature Range:** Damp location listed: 50° F (10° C) to 104° F (40° C).
- 9. Emergency Electrical Specifications:** Red LED Signs: 120 VAC, 60 Hz, 0.024 A; 277 VAC, 60 Hz, 0.011 A; Green LED Signs: 120 VAC, 60 Hz, 0.028 A; 277 VAC, 60 Hz, 0.012 A
- 10. Warranty:** Five year full warranty.

Code Compliance

UL 924 listed. UL damp location listed. Energy Star compliant. NFPA 101, IEC, NEC, OSHA illumination compliant.

Accessories

- WG4** = Wall Mount Exit Wire Guard
- PKIT12W** = Pendant Kit, 12" white finish
- PKIT12B** = Pendant Kit, 12" black finish

NOTE: Consult factory for additional lengths.

Job Information	Type:
Job Name:	
Cat. No.:	
Lamp(s):	
Notes:	

Lightolier a Genlyte Company www.lightolier.com
 631 Airport Road, Fall River, MA 02720 • (508) 679-8131 • Fax (508) 674-4710
 We reserve the right to change details of design, materials and finish.
 © 2006 Genlyte Group LLC (Lightolier Division) • C0806

LIGHTOLIER®